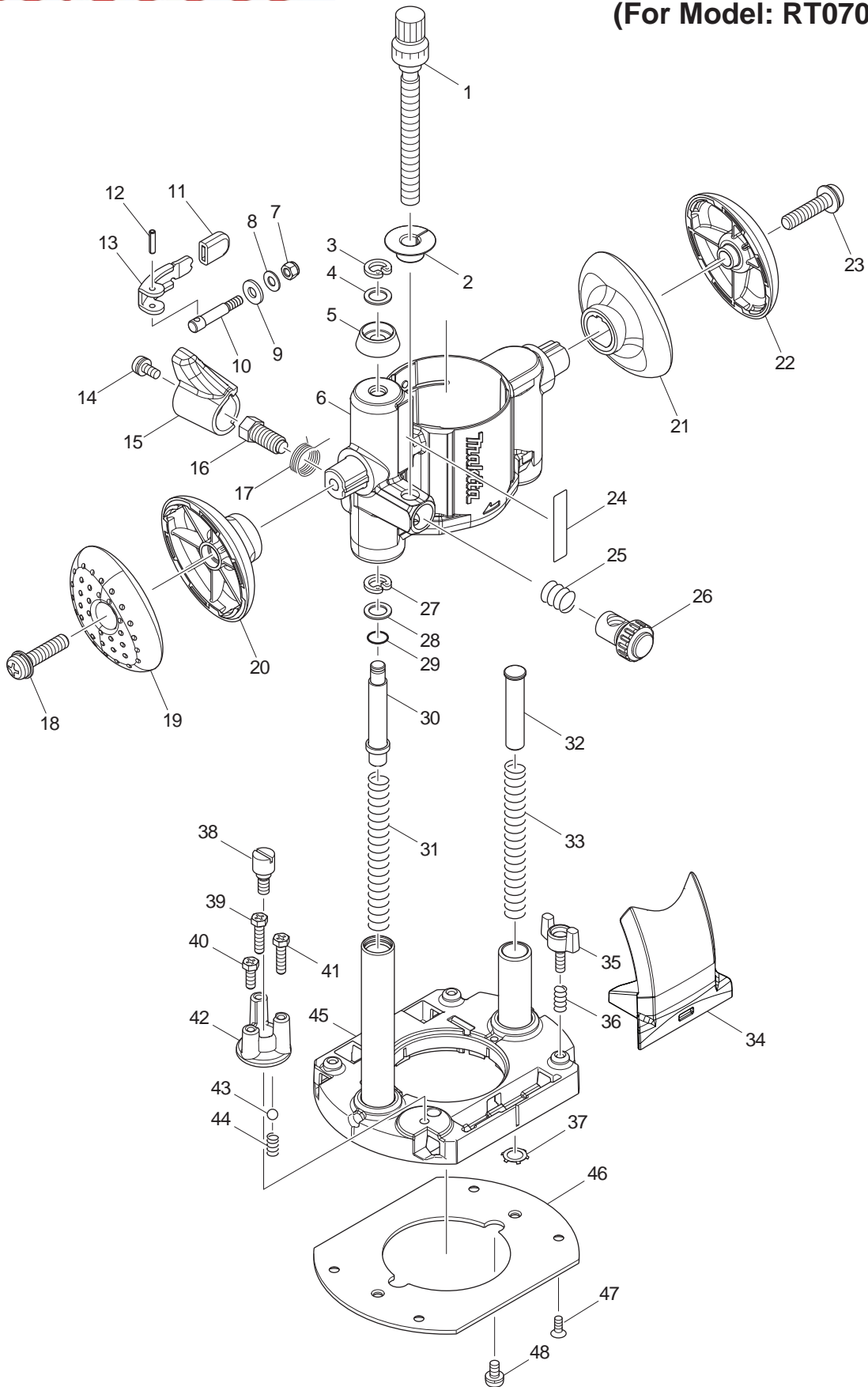




02 - 2012
196094-2
PLUNGE BASE SET
(For Model: RT0700CX3)



Item No.	Type	Sub	Part No.	Description	Qty	Unit
1			265739-4	THUMB SCREW M10X90	1	PC.
2			452474-5	DEPTH POINTER	1	PC.
3			961004-6	RETAINING RING S-8	1	PC.
4			253165-9	FLAT WASHER 8	1	PC.
5			424453-3	CAP 24	1	PC.
6			140740-9	PLUNGE BASE COMPLETE	1	PC.
7			252103-8	HEX. LOCK NUT M5-8	1	PC.
8			941101-4	FLAT WASHER 5	1	PC.
9			267214-6	FLAT WASHER 6	1	PC.
10			324243-3	SUPPORT PIN	1	PC.
11			421818-0	RUBBER CAP	1	PC.
12			951060-4	SPRING PIN 3-14	1	PC.
13			345229-4	LOCK LEVER	1	PC.
14			911213-7	PAN HEAD SCREW M5X12	1	PC.
15			452467-2	LOCK LEVER	1	PC.
16			266015-9	SET BOLT M10	1	PC.
17			233538-2	TORSION SPRING 15	1	PC.
18			911458-7	P.H.SCREW M8X35 WITH WR	1	PC.
19			452464-8	GRIP COVER	1	PC.
20			452463-0	GRIP	1	PC.
21			452463-0	GRIP	1	PC.
22			452464-8	GRIP COVER	1	PC.
23			911458-7	P.H.SCREW M8X35 WITH WR	1	PC.
24			892004-4	SCALE LABEL	1	PC.
25			231231-2	COMPRESSION SPRING 12	1	PC.
26			153476-1	HALF NUT COMPLETE	1	PC.
27			962065-9	RETAINING RING R-15	1	PC.
28			267047-9	FLAT WASHER 10	1	PC.
29			213070-2	O RING 10	1	PC.
30			326016-0	COLLAR HD.PIN 10	1	PC.
31			231416-0	COMPRESSION SPRING 10	1	PC.
32			256651-9	PIN 10	1	PC.
33			231417-8	COMPRESSION SPRING 10	1	PC.
34			452653-5	CHIP DEFLECTOR	1	PC.
35			265761-1	THUMB SCREW M5X16	2	PC.
36			231240-1	COMPRESSION SPRING 7	2	PC.
37			259019-8	SELF LOCK 15	2	PC.
38			251447-3	- FLAT HEAD SCREW M6	1	PC.
39			265587-1	+HEX. BOLT M5X20	1	PC.
40			265586-3	+HEX. BOLT M5X14	1	PC.
41			265587-1	+HEX. BOLT M5X20	1	PC.
42			318683-5	STOPPER	1	PC.
43			216022-2	STEEL BALL 7.0	1	PC.
44			231419-4	COMPRESSION SPRING 5	1	PC.
45			158808-7	BASE COMPLETE	1	PC.
46			450819-1	BASE PLATE	1	PC.
47			912112-6	COUNTERSUNK HEAD SCREW M4X10	4	PC.
48			911206-4	PAN HEAD SCREW M5X10	2	PC.